



HIGH  
SPEED  
DOORS



FRIGO 1 AIR

# TECHNICAL DATA



LOW TEMPERATURE



ANTI INSECTS



HIGH SPEED  
2,5 m/s



HIGH SAFETIES



SELF-REPAIR



OIL FREE

<b>MAXIMUM DIMENSIONS</b>	W 4500 mm x H 8000 mm
<b>SPEED</b>	<b>Max opening speed</b> 2,5 m/s
	<b>Closing speed</b> 0,8 m/s adjustable
<b>CYCLES TEST</b>	1.000.000
<b>WIND RESISTANCE</b>	3000 x 3000 Class 4 4500 x 5000 Class 3
<b>STRUCTURE</b>	Not self-supporting
<b>FRAME / MOTOR COVER HOOD</b>	<b>Standard</b> Galvanized steel
	<b>Optional</b> Powder coated Steel Stainless Steel 441/316
<b>CURTAIN</b>	<b>Standard</b> PVC curtain 1300 gr/m <sup>2</sup> , 6 W/m <sup>2</sup> k
	<b>Optional</b> • Insulated 7 mm, 3.3 W/m <sup>2</sup> k • Translucent 35/40% • FDA (white) • Antistatic
<b>SLIDING SYSTEM</b>	Patented sliding system with high density Polyzene self- lubricant equipped of sliding zipper directly on curtain
<b>VENTILATION SYSTEM</b>	1Kw / linear meter of useful height
<b>CONTROL PANEL</b>	<b>Standard</b> Coated steel panel IP54 (300 x 500 x 150 mm)
	<b>Optional</b> • Stainless steel • PVC panel IP65 (300 x 400 x 150 mm)
	Inverted system 50/60 Hz with absolute encoder
	Power supply 1-ph, 230V
	Power supply 3-ph, 400V+N
	Power supply 3-ph, 230V
	Start/Stop button
	2 free contacts (door open/closed/ alarm)
	Automatic/Manual Interlocking between 2 doors
	IP54 rating for motor and control panel
<b>WIRING</b>	IP65 Plug and Play system
<b>SAFETIES</b>	<b>Standard</b> • IP65 photocells set • Anti-jam sensor reverse • IP65 wifi safety edge
	<b>Optional</b> Multi ray light curtain barrier H 2500 IP67
<b>EMERGENCY OPENING</b>	<b>Standard</b> Hand crank
	<b>Optional</b> • Chain system • Counterweight system • UPS Battery
<b>ADVISING OPERATIVE TEMPERATURE</b>	Operating till - 30 °C with addition of heating kit - Not adapt to be installed in negative / positive temperature
<b>AIR FLOW OF AIR SYSTEM</b>	10 m/s

DynamicRoll® **FRIGO AIR 1** is a self-repairing roll up door with a special layered curtain composed by PVC/ polyethylene expanded/ PVC curtain.

The insulating segments on curtain avoid the icing creating a thermal cut with a continuous insulation on curtain. Thickness off curtain is of about 18mm.

The frame structure is equipped with heating cables placed in the sliding system and in connections to avoid condensation and icing of curtain.

These features make door ideal for refrigeration field to divide environments with different temperatures with humidity less than 30%.

## EN13241 CERTIFICATION

STANDARD	RIF.	TEST ACC.	RESULTS
WATER PERMEABILITY	EN 12425	EN 12489	Class 1
WIND LOAD	EN 12424	EN 12444	Class 2
WIND PERMEABILITY	EN 12426	EN 12427	Class 1
SAFE OPENINGS	EN 12453	EN 12445	✓
MECHANICAL RESISTANCE	EN 12604	EN 12605	✓
UNINTENDED MOVEMENTS	EN 12604	EN 12605	✓
THERMAL TRANSMITTANCE	EN 12428	EN 12428	2,2 W/m²K
PERFORMANCE (CYCLES)	EN 12604	EN 12605	1.000.000

Values can change depending on door dimensions

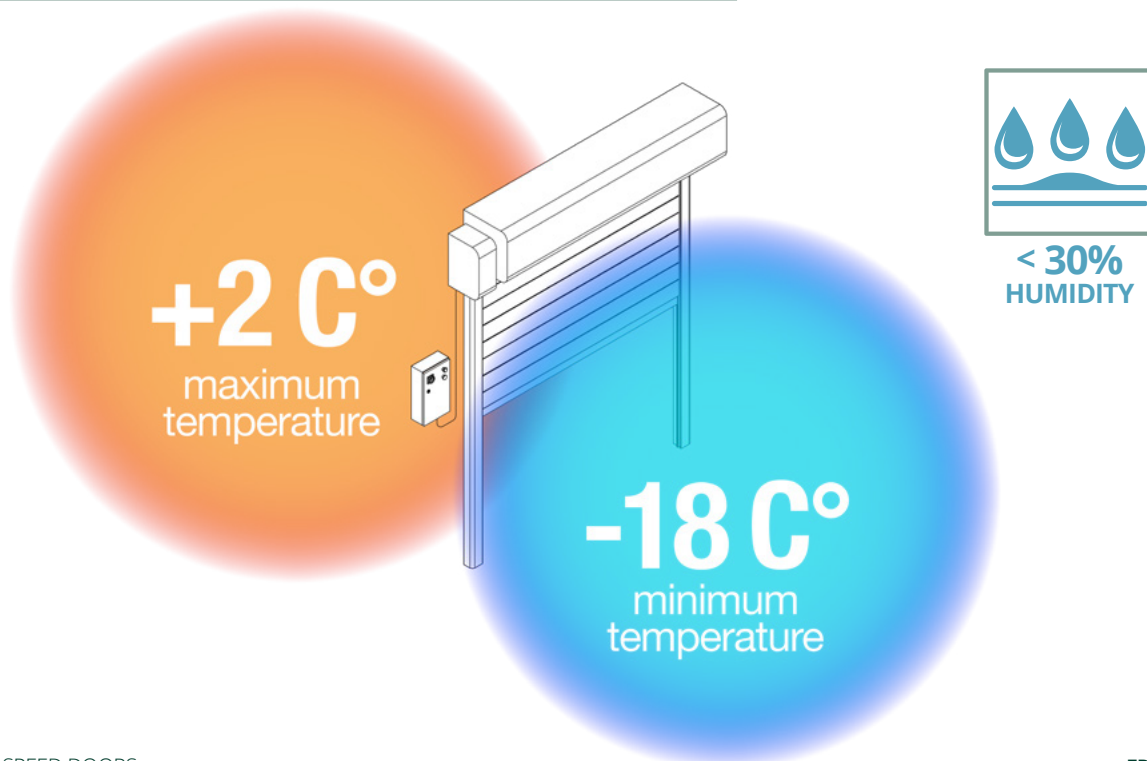
## ADVANTAGES

- Self-repairing
- Rapid
- Sealing
- Noiseless
- No rigid elements inside the curtain for 100% safety
- Plug & play (easy to install)
- Low maintenance
- Insulating - Thermal K 2,2 Wm²K

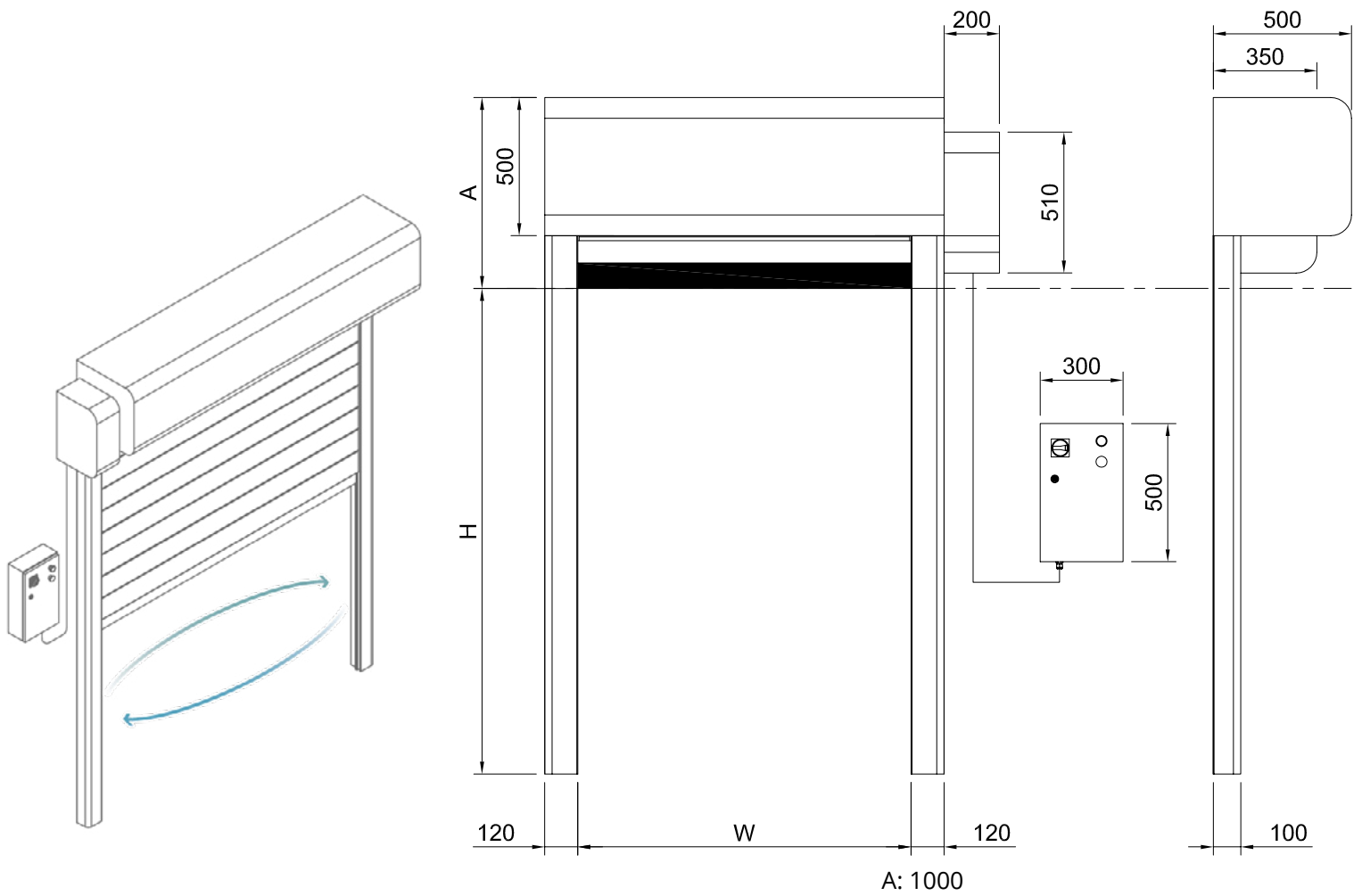
### SLIDING SYSTEM / SELF-REPAIRING



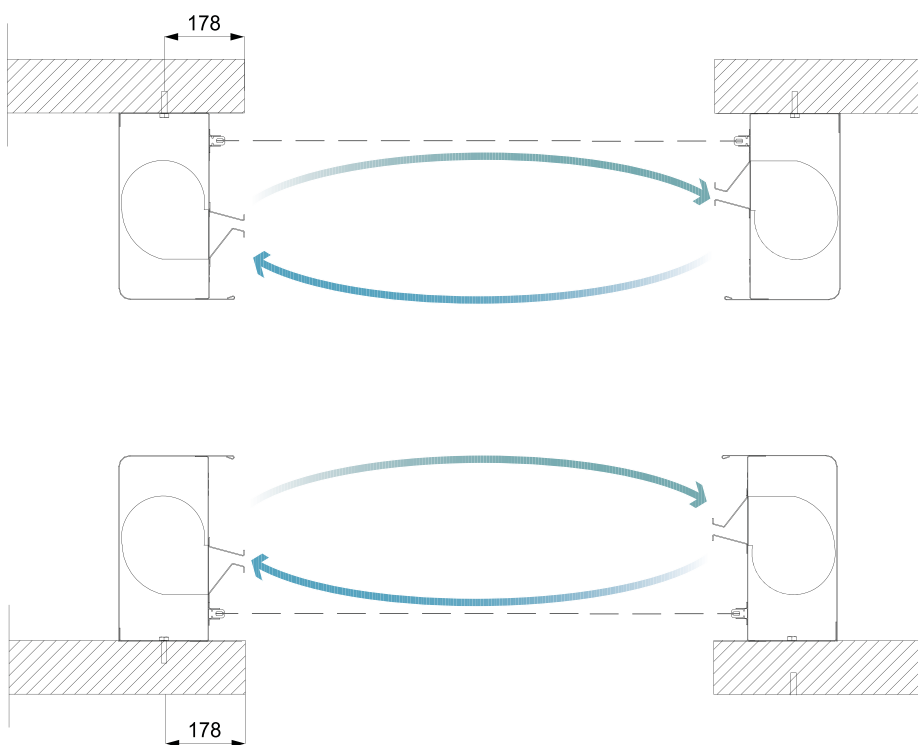
## ADVISING OPERATIVE TEMPERATURE



# DOOR SPACE REQUIREMENTS



## Solution for spaces with different temperatures



### Ventilation System

It is strongly suggested where you need to separate two areas with different temperatures or humidity's and high traffic. The Air system guarantees a very good separation of the two areas and temperatures when the door is open thanks to a double ventilation system providing air recirculation across the door opening.

# PVC CHARACTERISTICS

## STANDARD PVC

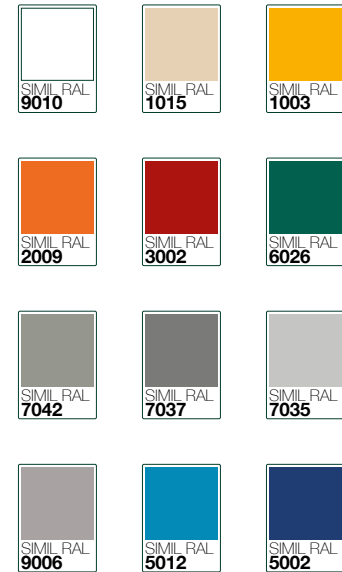
### Composition and tests

EXTERNAL SIDE			
Material	Finishing	Color	Thick
PVC	Opaque	12 standard	0,7 mm
FABRIC			
Material	N. tarps	Title	EN 2286-2
PES	1	1100Dtex 12x12	900 g/m <sup>2</sup>
INTERNAL SIDE			
Material	Finishing	Color	Thick
PVC	Rough	12 standard	0,2 mm
<b>COLD RESISTANCE</b> ISO 4675/90 -50°C ±5			
<b>HYDROLYSIS TEST</b> 75°C 95% humidity none variation			
<b>GAS OIL TEST</b> ISO 1421 none variation			
<b>MARINE WATER TEST</b> (ISO 1421) none variation			
<b>OZONE TEST</b> ISO 3011 none crack			
<b>T. STORAGE</b> (°C) -30 +65			
<b>FLAME TEST</b> (ISO 3795) < 100 mm/min			
<b>PERFORATION</b> RINA 3.A1.2.7 (N) > 100			
<b>EXERCISE 7 days -70°C</b> ISO 6065 none variation			

### Characteristics

<b>THICK</b> ISO 2286/3 (mm) 0,9±0,1
<b>WEIGHT</b> ISO 2286/2 (kg/m <sup>2</sup> ) 0,90±0,1
<b>LOAD BREAK</b> ISO 1421 6000 N/50mm
<b>WARP EXTENSION</b> ISO 1421 4300 N/50mm
<b>TEXTURE EXTENSION</b> ISO 1421 4000 N/50mm
<b>WARP BREAK</b> dIN 53 363 (N) > 600
<b>TEXTURE BREAK</b> dIN 53 363 (N) > 530
<b>ADHESION</b> dIN EN ISO 2411 130 N/50mm
<b>EEC CONFORMITY</b> Yes
<b>SPECIFIC USE</b> industry, refrigerators, car washes, supermarkets, warehouses
<b>ASSOCIATION</b> -

### Colors



## OPTIONAL ACCESSORIES

### RADAR



OPENING POINT  
RADAR TOF/SPOT  
for internal use only



INFRARED RADAR  
with cross-movement  
adjustment



INFRARED RADAR  
motion and presence  
(pedestrian/forklift) radar

### TRAFFIC LIGHTS



GREEN FIXED STANDARD  
traffic light



RED FIXED STANDARD  
traffic light



LED TRAFFIC LIGHT  
with countdown



LED TRAFFIC LIGHT  
BARRIERS  
(connection card included)

### BUTTONS



OPENING GREEN  
BUTTON  
with box



OPENING BLACK  
BUTTON  
with box



FREEZE STOP BUTTON  
with box



NO TOUCH  
BUTTON



WIND GAUGE



KEY  
SELECTOR



REMOTE CONTROL



BOLLARD B-PROTECT



PULL CORD SWITCH



MAGNETIC LOOP DETECTOR

Quality products since 1997

**BMP EUROPE HIGH SPEED DOORS**  
Strada della Freisa 1 - Villanova d'Asti 14019 (AT)  
+39 0141 948843  
[www.bmpdoors.com](http://www.bmpdoors.com) - [info@bmpeurope.eu](mailto:info@bmpeurope.eu)

10/2021